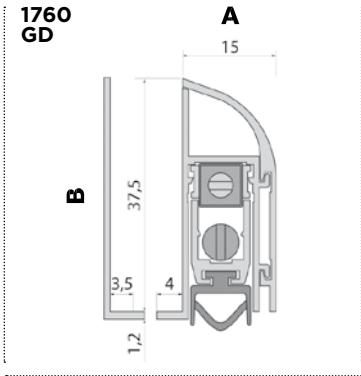
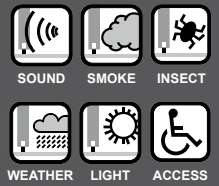


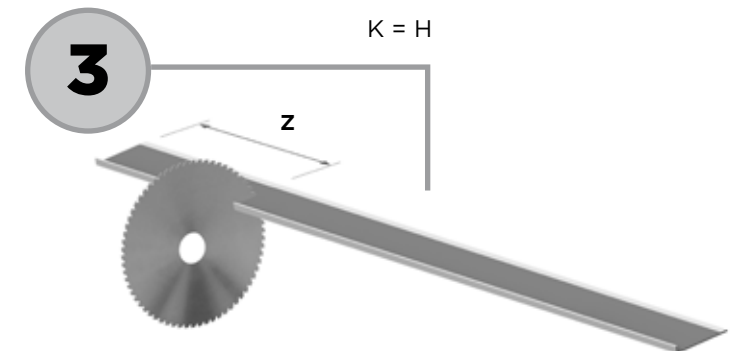
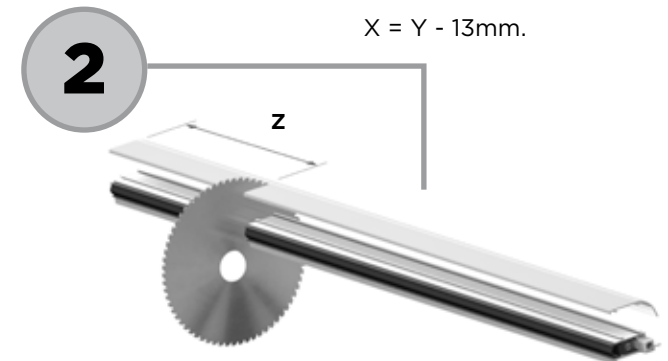
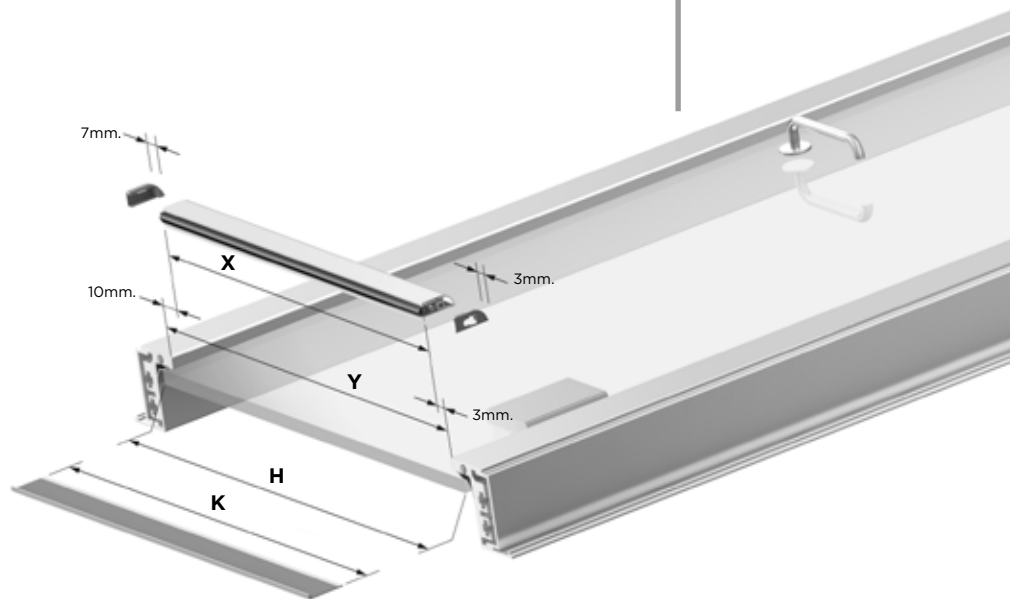
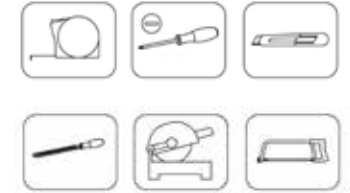
# FITTING INSTRUCTIONS

## TYPE 1760 GD - GLASS DOOR



**1**

TOOLS REQUIRED



CUT DOWN SIZES

STANDARD SIZES mm.	530	630	730	830	930	1030	1130	1230	1330
Z mm.	100	100	100	100	100	100	100	100	100

# TYPE 1760 GD - GLASS DOOR

